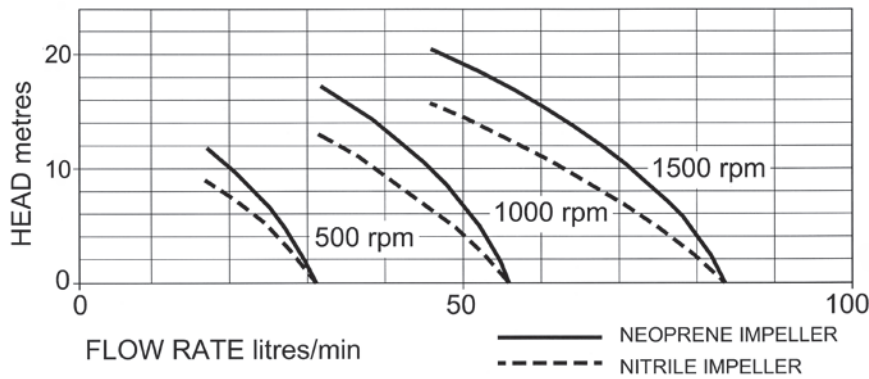


**PERFORMANCE:**

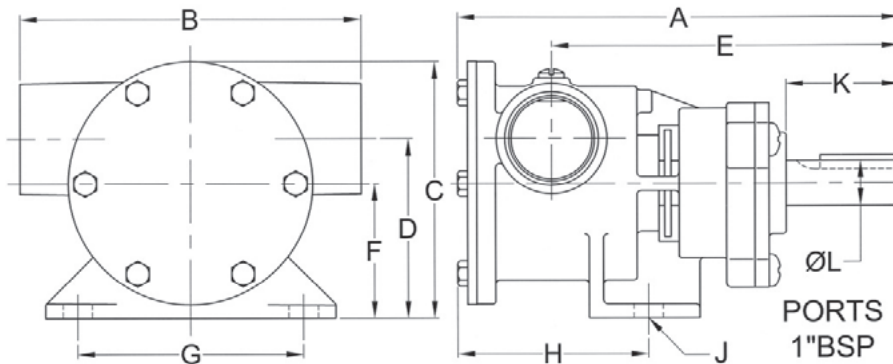


MODEL	Maximum flow rate		Maximum head	
	l/min	gall/min	metres	feet
52080-2001	82	18	20	65
52080-2003	82	18	18	59

Max Power absorbed 550 watt at 1500rpm

**DIMENSIONS:**

**WEIGHT: 2.1Kg**



A	B	C	D	E	F	G	H	J	K	ØL
156	120	91	64	123	48	79	67	10	40	Ø16

**MATERIALS OF CONSTRUCTION:**

Body	Bronze
Impeller	Neoprene or Nitrile
Wearplate	Replaceable
Shaft	Stainless steel type 316
Shaft seal	Lip type
Bearings	Twin row, ball type
Port type	1" BSP to BS21 (DIN2999)

**MODELS:**

*52080-2001 Standard Neoprene Impeller*

*52080-2003 Oil resistant Nitrile*

*52080-2021 High pressure Neoprene*



a xylem brand

**BRONZE FLEXIBLE  
IMPELLER PEDESTAL  
PUMP**

**52080 SERIES**



**PUMP with  
1" BSP PORTS**

- \* Constructed from marine quality bronze and stainless steel
- \* Self-prime from dry up to 2.4m
- \* Easy to service and maintain
- \* Will tolerate abrasive wear
- \* Handles hard and soft solids without clogging
- \* Can pump in either direction
- \* Will not airlock



Xylem Water Solutions UK Ltd  
Bingley Road • Hoddesdon • Hertfordshire • EN11 0BU • UK  
Telephone: +44 (0)1462 480380 Fax: +44 (0)1462 482422  
mail@cleghorn.co.uk www.jabscoshop.com

DOC598/12