

51520 Series

Self Priming Flexible Impeller Pump

Features

Body:	Brass
Impeller:	Neoprene
Seal:	Carbon/Ceramic Mechanical
Shaft:	Stainless Steel
Bearings:	Sealed Ball Bearings
Ports:	3/8" BSP or 3/8" NPT
Weight:	0.67kg (1.5lb)

Variations Available

Model	Description
51520-2001	3/8" BSP internal ports
51520-9001	3/8" NPT internal ports

Typical Applications

Marine:

Engine Cooling, Bilge Pumping, Water Circulation

Industrial:

Circulating and Transferring, Velocity Mixing

Farming:

Pumping Water for Stock, Liquid Ballast Transfer

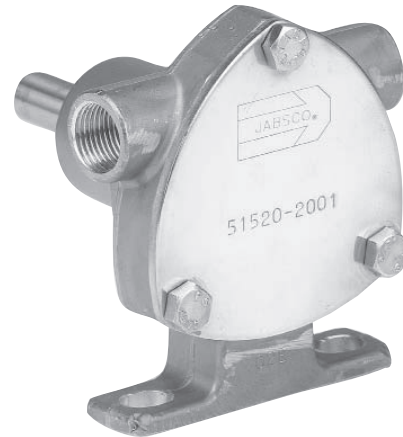
Installation

1. Pump may be mounted in any position. Intake and discharge ports are determined by the shaft rotation. Ensure pipe fittings are air-tight or pump will not prime.
2. Pump can be belt or direct driven.



WARNING Do not press pulley or coupling on shaft without supporting the other end, bearing and/or seal damage will occur. Ensure belt is of correct tension, ensure drive shafts and pump shaft are aligned before tightening coupling.

3. Pump can be operated upto 3600 rpm and up to 22 psi (1.5 bar) (see performance curve)
4. Pump will prime at low or high speeds, for a vertical lift of 10 feet (3 m), a minimum speed of 1000 rpm is required.
5. DO NOT RUN DRY for more than 30 seconds, impeller damage will occur.
6. Operating temperature, 45°F to 180°F (7°C to 82°C).
7. Freezing conditions, drain pump by loosening end cover screws.



Service Instruction

Disassembly:

1. Remove end cover screws, end cover and O-ring.
2. Remove impeller.
3. Remove dust shield and retaining ring.
4. Press out shaft/bearing assembly.
5. Press out mechanical seal.

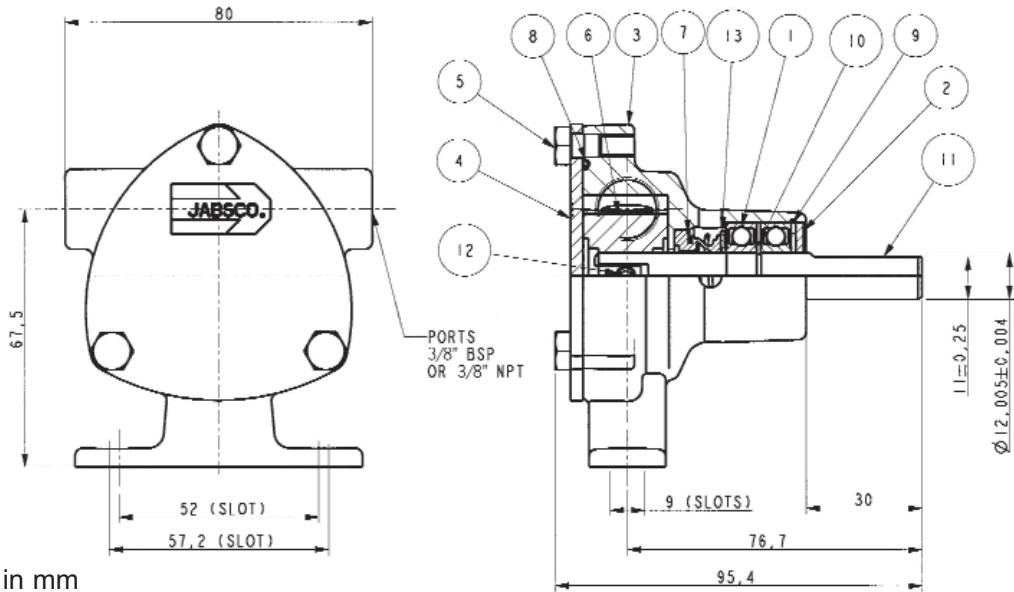
Assembly:

1. Press stationary part of mechanical seal into body.
2. Press rotary part of mechanical seal onto shaft.
3. Press shaft into body, do not allow shaft to touch seal face.
4. Fit retaining ring and dust shield.
5. Lightly smear impeller bore with grease and fit impeller.
6. Fit o-ring, end cover, and secure end cover screws.

WARNING



DO NOT pump petroleum or fluids with a flashpoint below 30°C (86°F)



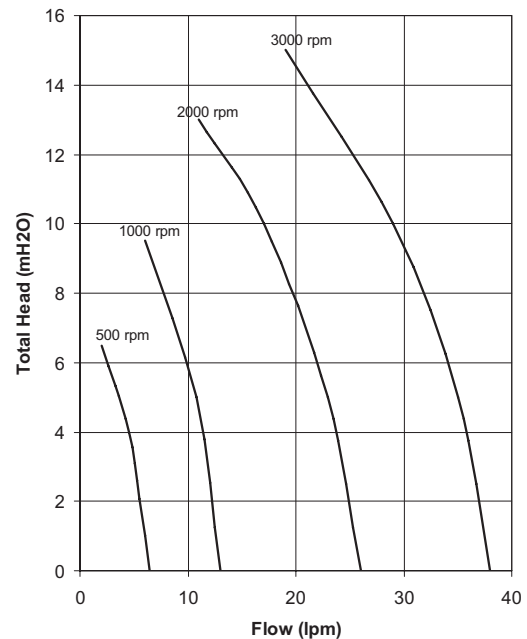
51520 Series

Dimensions in mm

Parts List

Key	Description	Part Number
A	Impeller Kit (Contains Impeller (6), O-Ring (8))	653-0001
B	End Cover Kit (Contains End Cover (4), Screws (5), O-Ring (8))	SK501-0000
C	Shaft Kit (Contains Shaft (11), Bearings (1), Retaining Rings (10 & 9), Dust Shield (2))	SK502-0000
D	Service Kit (Contains Impeller (6), O-Ring (8), Mechanical Seal (7), End Cover Screws (5))	SK503-0000
E	Seal Kit (Contains Mechanical Seal (7), O-Ring (8), Support Washer (13))	SK504-0000

Performance



Note : Performance shown is for a new pump, pumping water at 20°C, performance may vary by up to 15%. Consult factory for performance of alternative impeller compounds.

xylem
Let's Solve Water

Jabsco, 1 Kondelin Road, Cape Ann Industrial Park, Gloucester, MA 01930
Tel: +1 978 281 0440 Fax: +1 978 283 2619

USA

Jabsco, Bingley Road, Hoddesdon, Hertfordshire, HN11 0BU
Tel: +44 (0) 1992 450 145 Fax: +44 (0) 1992 467 132

UK

NHK Jabsco Co Ltd, 3-21-10, Shin - Yokohama Kohoku-ku, Yokohama 222
Tel: +81 (0) 45 475 8906 Fax: +81 (0) 45 475 8908

JAPAN

Jabsco GmbH, Ostraße 28, 22844 Norderstedt
Tel: +49 (0) 40 53 53 73 0 Fax: +49 (0) 49 53 53 73 11

GERMANY

Jabsco Italia, s.r.l., Via Iommaseo, 6, 20059 Vimercate, Milano
Tel: +39 039 685 2323 Fax: +39 039 666 307

ITALY