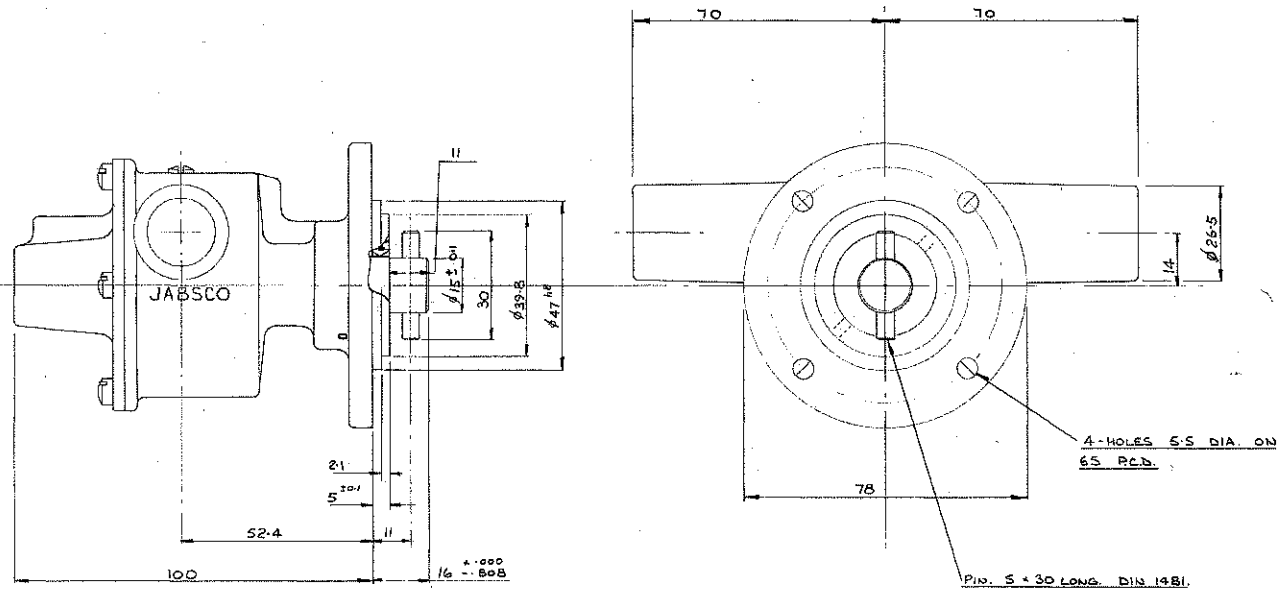


MODEL	ASSEMBLY	BOM.
21770	21771	21772



DATE	REV.	REVISION	REF.	BY	CK.	APP.
14/6/71	A	GLOBAL UNDER NO CHANGE	14030			

NOTES:

MATERIAL SPEC:

DO NOT SCALE - REPORT ERRORS

REMOVE SAND & FINIS FROM CASTINGS FLASH & SCALE FROM FORGINGS
 SURFACE FINISH SPECIFICATIONS ARE IN MICRONS UNLESS OTHERWISE STATED THE FOLLOWING APPLY
 PART TO BE FREE OF BURRS
 DIMENSIONAL TOLERANCES DECIMAL ± 0.10 FRACTIONAL $\pm 1/32$ ANGULAR $\pm 1/2^\circ$

ITT FLUID HANDLING LIMITED
 CHESHUNT, HERTS. ENGLAND.

DR. A. OVERVORDE 8-11-71 E.O. 711-0200

CK. R.E. 14/6/71

APP.

TITLE INSTALLATION - 1/2" PLAIN BEARING

PUMP

PART No. 21770 SERIES SCALE 1:1